

Specifications

Regulatory

- cULus listed (E135084)
- YJ (434 MHz)- FCC (USA)
 - IC (Canada)
 - CFT (Mexico)

Ratings

- Operating Voltage: 12 V_{DC}
- Operating Wattage: 5 W
- Torque: 4.5 in•lb
- Speed: 2.1 in/sec

Environment

- Temperature: 32° F to 104° F (0° C to 40° C)
- For indoor use only
- Relative Humidity: <90% non-condensing

Power sources

- Battery Powered
Use Alkaline Batteries Only
- Power Supply
 - CSPS-P1-10-6 - 10 Output Power Panel
 - Primary - 100-240 V~ 50/60 Hz 1,5 A
 - Secondary - 12 V_{DC} 4,5 A
 - CSPS-P1-1-6-XX - Individual Class 2 Power Supply
 - Primary - 100-240 V~ 50/60 Hz 0,3 A
 - Secondary - 12 V_{DC} 0,5 A
 - Other Class 2 Power Supply
Lutron approved NEC Class 2 Power Supply

Wiring

- Battery power - No wiring required.
- Power supply - Secondary wiring must be of type CL2, CL2P, CL2R, CL2X or other cable with equivalent or better electrical, mechanical, and flammability ratings in accordance with local and national electric code.
- Communication - No communication wiring is required.

Integration (Sivoia® QS Wireless models only)

- Cellular shades seamlessly integrate with Lutron lighting systems RadioRA® 2 and HomeWorks® QS.

Non-system models

- Pico® wireless control

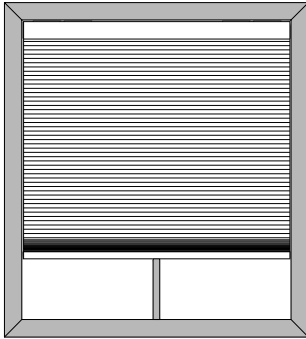
Sivoia QS Wireless models

- Pico® wireless control
- seeTouch® RF keypads
- GRAFIK Eye®
- RadioRA 2 (Sivoia QS Wireless models only)
- HomeWorks QS (Sivoia QS Wireless models only)

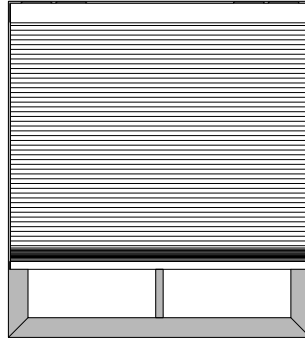
| | |
|--|------------------------------|
| <p>Job Name:</p> <p>Job Number:</p> | <p>Model Numbers:</p> |
|--|------------------------------|

Mounting Options

Depending on the window dimensions, the shade can be mounted inside the window frame or outside the window frame.



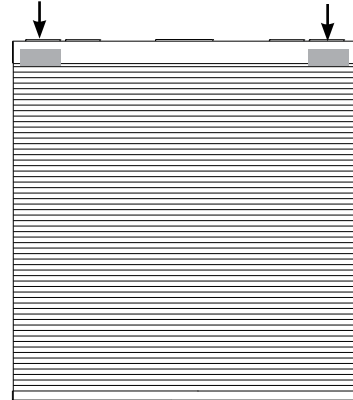
Inside Mount



Outside Mount

Wiring Compartment (-PS models only)

The wiring compartment for power supply models can be located on left or right of the headrail.



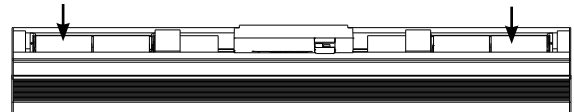
Headrail Options

Depending on fabric selection, the headrail can be constructed from Aluminum or Vinyl.

Note: Some headrail colors are not identical to fabric colors. See SCT or www.lutron.com/cellularfabrics for details.

Battery Holders (-B models only)

The battery holders are located in the headrail.

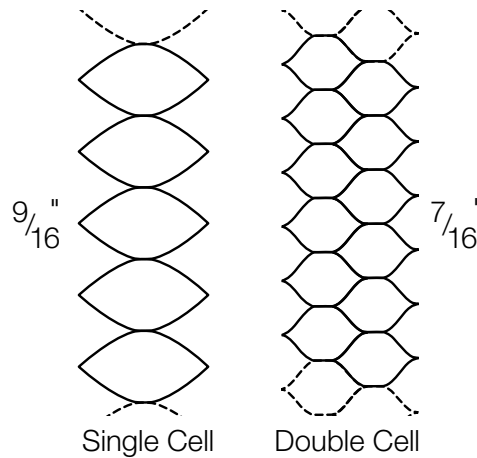


Fabric Options

Lutron Cellular Shades are available in a wide variety of types including:

- Light-Filtering - Single-Cell
 - Point Bonded
 - Spun Lace
 - Sheer
 - Crush
 - Woven
- Light-Filtering - Double-Cell
 - Spun Lace
- Room-Darkening
 - Point Bonded
 - Spun Lace

Cell Options (profile view)

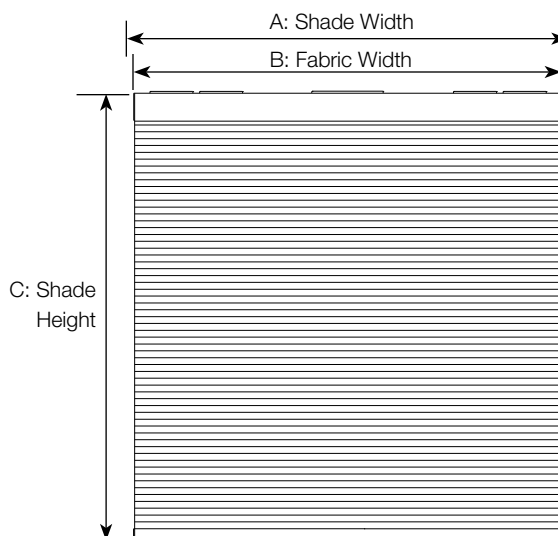
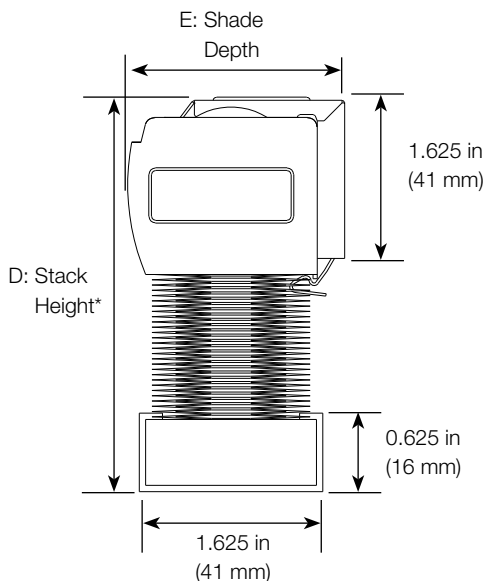
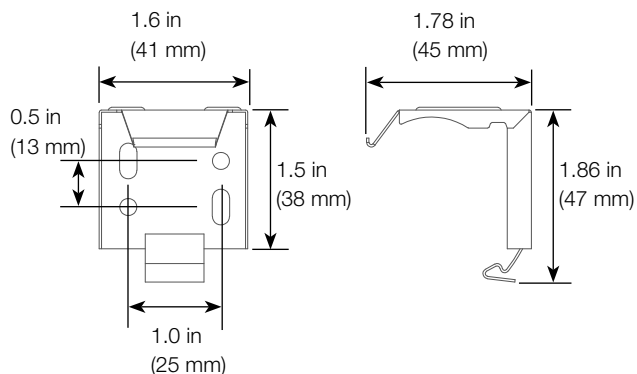


| | |
|-------------|----------------|
| Job Name: | Model Numbers: |
| Job Number: | |

System Dimensions

- A - Shade Width
- B - Fabric Width (Shade Width - 0.125 in.)
- C - Shade Height
- D - Stack Height
- E - Shade Depth (with bracket)

Bracket Dimensions



* D: Stack Height (2.5 in. - 3.65 in.) See SCT or call Shading Quotes at 1.888.LUTRON1 (1.888.588.7661) for specific values.

| | |
|--------------------|-----------------------|
| Job Name: | Model Numbers: |
| Job Number: | |

System Dimensions (continued)

| | Headrail Type | | E: Shade Depth | R Value | Available Fabric | | |
|------------------------------------|---------------|----------|----------------|---------|------------------|-----------------|--------|
| | Vinyl | Aluminum | | | Stocked | Premium Stocked | Custom |
| Light-filtering Single-cell | | | | | | | |
| Point Bonded | • | | 2.058 in. | 3.5 | • | | |
| Spun Lace | • | • | | 3.5 | | • | • |
| Sheer | • | • | | 0.7 | | • | |
| Crush | | • | | 3.4 | | | • |
| Woven | | • | | 0.9 | | | • |
| Light-filtering Double-cell | | | | | | | |
| Spun Lace | | • | 2.058 in. | 3.6 | | | • |
| Room-darkening Single-cell | | | | | | | |
| Point Bonded | • | | 2.058 in. | 4.3 | • | | |
| Spun Lace | • | • | | 4.3 | | • | • |

| Headrail Type | A: Shade Width* | | C: Shade Height | |
|---------------|-----------------|-------------------|-----------------|-------------------|
| | Minimum | Maximum | Minimum | Maximum |
| Vinyl | 15 in. (381 mm) | 64 in. (1 626 mm) | 12 in. (305 mm) | 72 in. (1 829 mm) |
| Aluminum | 15 in. (381 mm) | 84 in. (2 134 mm) | 12 in. (305 mm) | 82 in. (2 083 mm) |

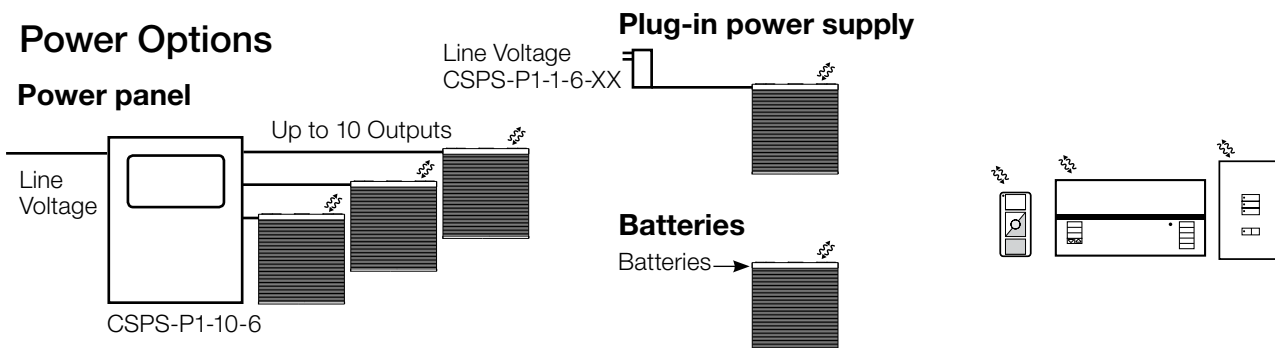
| Shade Width* | Number of Batteries Required |
|-------------------------------------|--|
| 15 in. - 26 in. (381 mm - 660 mm) | 8 AA-Cell (Available late November 2011) |
| 26 in. - 29 in. (660 mm - 737 mm) | 4 D-Cell |
| 29 in. - 72 in. (737 mm - 1 829 mm) | 6 D-Cell |

| Shade Width* | Number of Brackets Required |
|---------------------------------------|-----------------------------|
| 15 in. - 46 in. (381 mm - 1 168 mm) | 2 |
| 46 in. - 84 in. (1 168 mm - 2 134 mm) | 3 |

* All shade widths are outside mount.

Power Options

Power panel



Note: Secondary wiring must be of type CL2, CL2P, CL2R, CL2X or other cable with equivalent or better electrical, mechanical, and flammability ratings in accordance with local and national electric code.

| | |
|--------------------|-----------------------|
| Job Name: | Model Numbers: |
| Job Number: | |