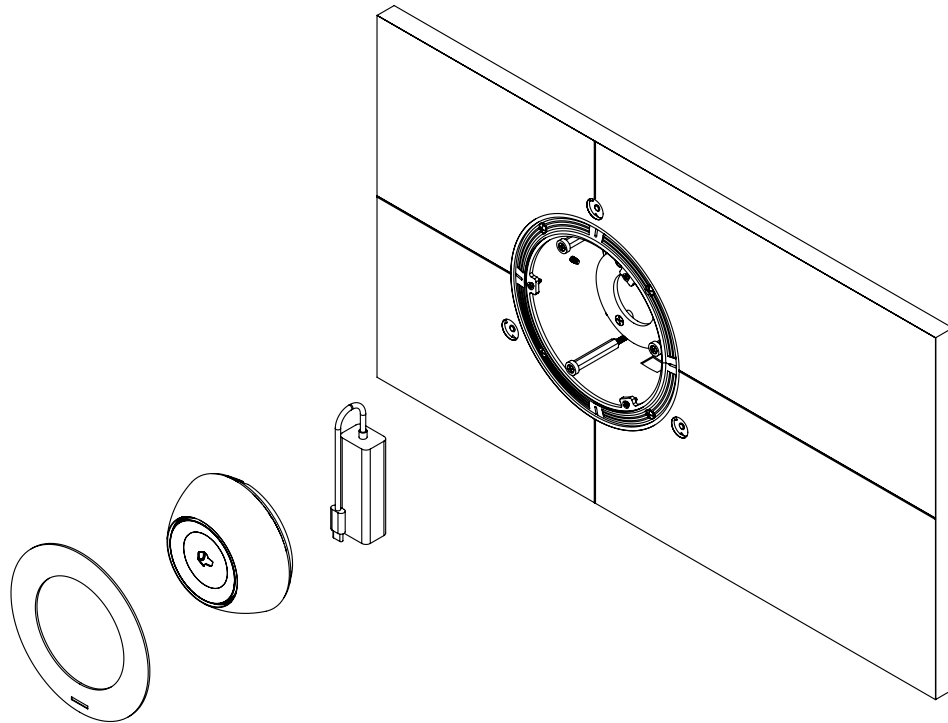


TRUFIG®

# JOSH MICRO

MOUNTING PLATFORM | FASCIA



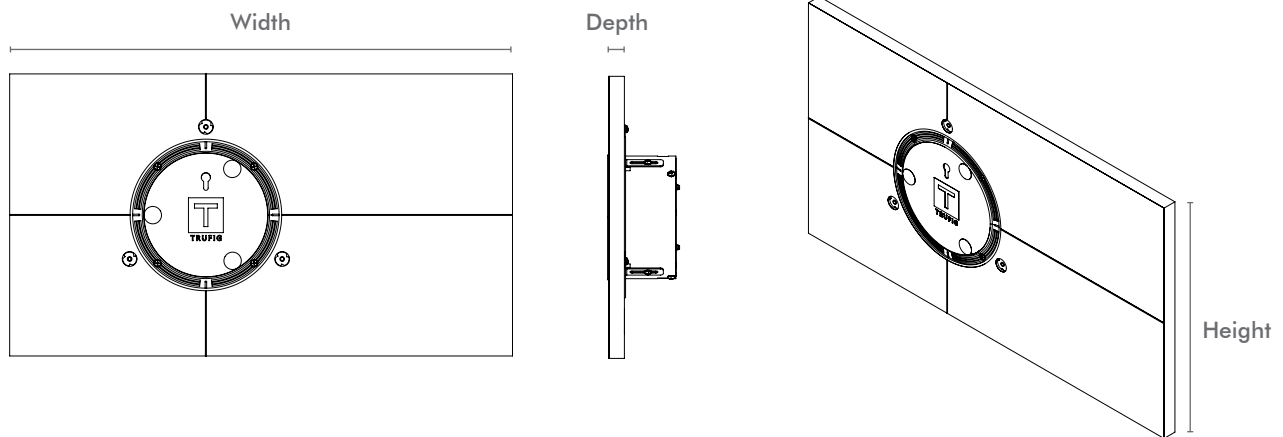
# JOSH MICRO

## MOUNTING PLATFORM | FASCIA

### Dimensions

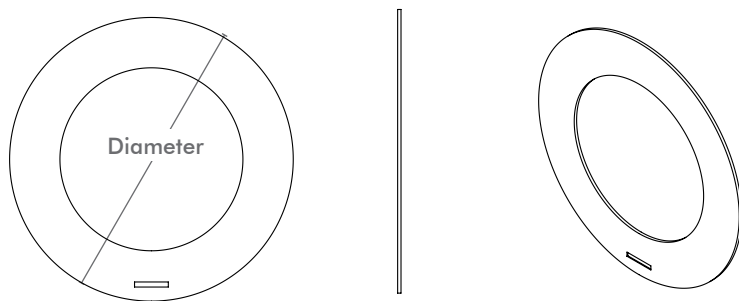
#### 51232 Mounting Platform

Width: 20.5" (520.7mm)  
Height: 11.5" (292.1mm)  
Depth: 5/8" (15.88mm)



#### Fascia

Diameter: 5.04" (128mm)



#### LIMITED FIVE (5) YEAR WARRANTY

Sonance warrants to the first end-user purchaser that this Sonance-brand product ("Product"), when purchased from an authorized Sonance Dealer/Distributor, will be free from defective workmanship and materials for the period stated above. Sonance will, at its option and expense, either repair the defect or replace the Product with a new or remanufactured Product or a reasonable equivalent. **Please visit our website and owner's e-Manual for complete warranty and exclusion information.**

©2019 Sonance. All rights reserved. Sonance is a registered trademark of Dana Innovations.

Due to continuous product improvement, all features and specifications are subject to change without notice. For the latest Sonance product specification information visit our website: [www.sonance.com](http://www.sonance.com)

991 Calle Amanecer • San Clemente, CA 92673 USA • (949) 492-7777 • FAX: (949) 361-5151 • Technical Support: (949) 492-7777

02.14.19