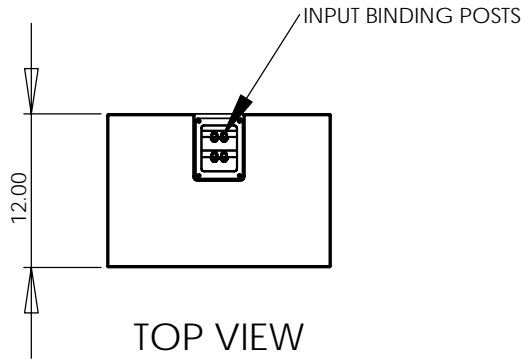
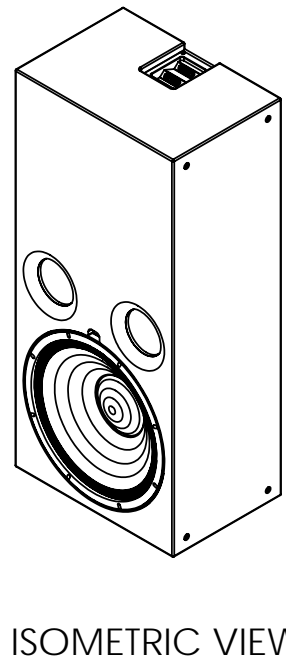
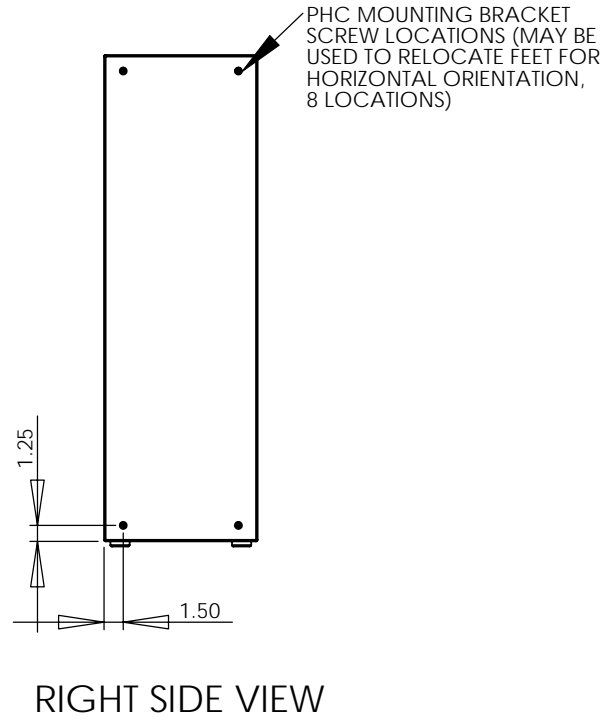
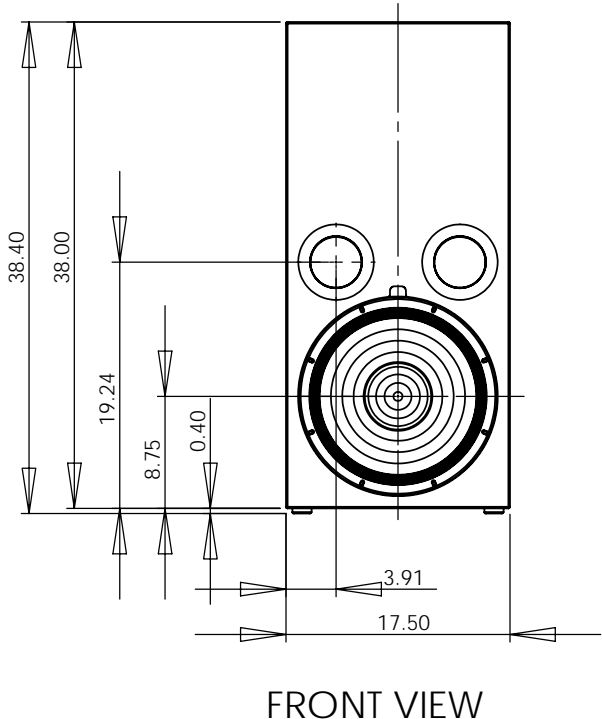


REVISIONS			
RELEASE	REV.	DESCRIPTION	DATE
	A	INITIAL RELEASE	10/24/2008



Note:  
This PHC speaker is coated with an ultra-durable poly urea coating that varies slightly in thickness; therefore the overall dimensions may vary slightly from those shown in this drawing. Allowance for this variance should be included in the system installation design.



**PROPRIETARY AND CONFIDENTIAL**

THE INFORMATION CONTAINED IN THIS DRAWING IS THE SOLE PROPERTY OF PROFESSIONAL HOME CINEMA, LLC. ANY REPRODUCTION IN PART OR AS A WHOLE WITHOUT THE WRITTEN PERMISSION OF PROFESSIONAL HOME CINEMA, LLC IS PROHIBITED. THE HOLDER OF THIS DOCUMENT SHALL KEEP ALL INFORMATION CONTAINED HEREIN CONFIDENTIAL AND SHALL PROTECT THE SAME IN WHOLE OR IN PART FROM DISCLOSURE AND DISSEMINATION TO ALL THIRD PARTIES.

		DIMENSIONS ARE IN INCHES	NAME	DATE
		TOLERANCES:		10-24-08
		FRACTIONAL ±	DRAWN	
		ANGULAR: MACH ± BEND ±	CHECKED	
		TWO PLACE DECIMAL ±	ENG APPR.	
		THREE PLACE DECIMAL ±	MFG APPR.	
		MATERIAL --	Q.A.	
NEXT ASSY	USED ON	FINISH --	COMMENTS:	
APPLICATION		DO NOT SCALE DRAWING		

**PROFESSIONAL HOME CINEMA, LLC**

**LFC-15sm  
DIMENSIONS**

SIZE **A** DWG. NO. REV. **A**

SCALE: 1:15 WEIGHT: SHEET 1 OF 1