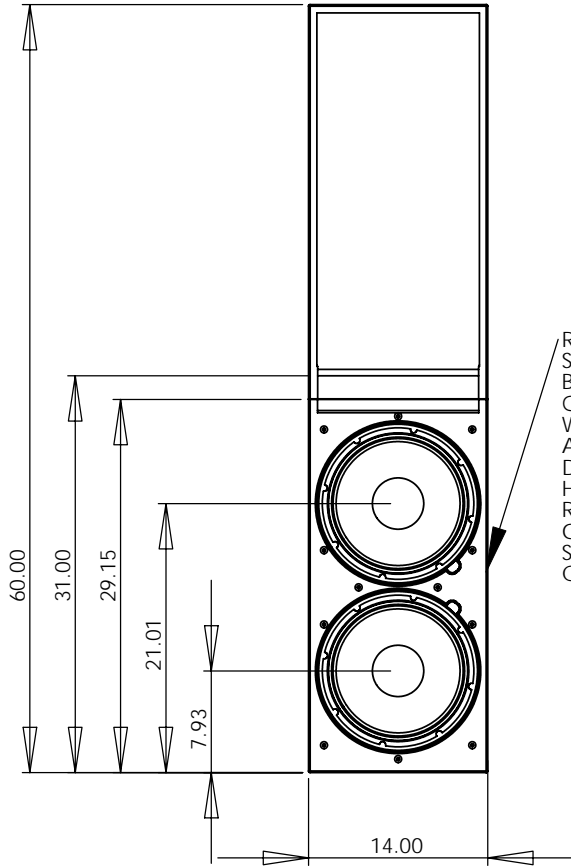
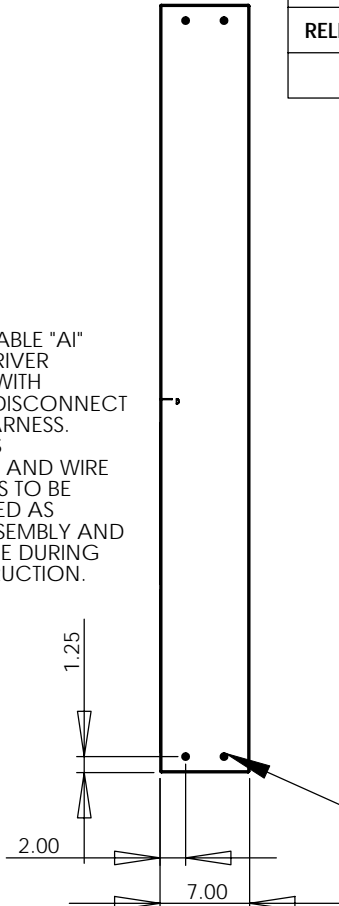


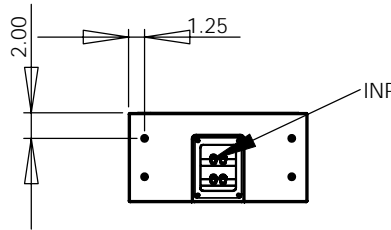
REVISIONS			
RELEASE	REV.	DESCRIPTION	DATE
	A	INITIAL RELEASE	10/24/2008



FRONT VIEW



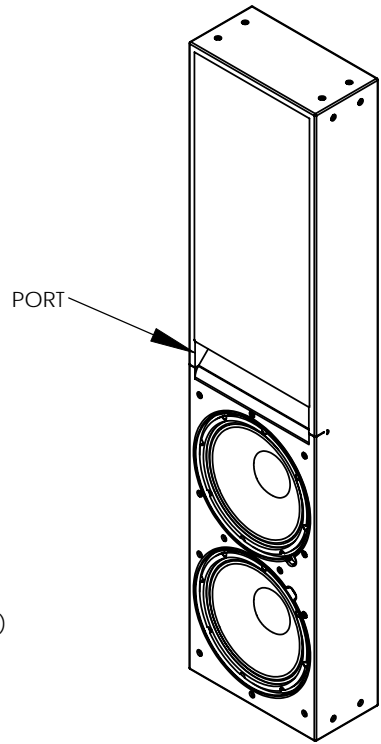
RIGHT SIDE VIEW



BOTTOM VIEW

REMOVABLE "AI" STYLE DRIVER Baffle WITH QUICK-DISCONNECT WIRE HARNESS. ALLOWS DRIVERS AND WIRE HARNESS TO BE REMOVED AS ONE ASSEMBLY AND SET ASIDE DURING CONSTRUCTION.

PHC MOUNTING BRACKET SCREW LOCATIONS (16 LOCATIONS)



ISOMETRIC VIEW

Note: This PHC speaker is coated with an ultra-durable poly urea coating that varies slightly in thickness; therefore the overall dimensions may vary slightly from those shown in this drawing. Allowance for this variance should be included in the system installation design.

PROPRIETARY AND CONFIDENTIAL
 THE INFORMATION CONTAINED IN THIS DRAWING IS THE SOLE PROPERTY OF PROFESSIONAL HOME CINEMA, LLC. ANY REPRODUCTION IN PART OR AS A WHOLE WITHOUT THE WRITTEN PERMISSION OF PROFESSIONAL HOME CINEMA, LLC IS PROHIBITED. THE HOLDER OF THIS DOCUMENT SHALL KEEP ALL INFORMATION CONTAINED HEREIN CONFIDENTIAL AND SHALL PROTECT THE SAME IN WHOLE OR IN PART FROM DISCLOSURE AND DISSEMINATION TO ALL THIRD PARTIES.

		DIMENSIONS ARE IN INCHES	NAME	DATE
		TOLERANCES:	DRAWN	10-24-08
		FRACTIONAL ±	CHECKED	
		ANGULAR: MACH ± BEND ±	ENG APPR.	
		TWO PLACE DECIMAL ±	MFG APPR.	
		THREE PLACE DECIMAL ±	Q.A.	
		MATERIAL --	COMMENTS:	
NEXT ASSY	USED ON	FINISH --		
APPLICATION		DO NOT SCALE DRAWING		

PROFESSIONAL HOME CINEMA, LLC

LFC-212ai

DIMENSIONS

SIZE **A** DWG. NO. REV. **A**

SCALE: 1:15 WEIGHT: SHEET 1 OF 1