

# SONANCE LANDSCAPE SERIES

LS47SAT Two-Way Full Range Loudspeaker



Sonance Landscape Series Outdoor Loudspeakers produce a richly dimensional, evenly dispersed sound field in an otherwise uncontrolled environment. This is accomplished through an array of strategically placed loudspeakers and powerful subwoofers. The model LS47SAT Two-Way Full Range Loudspeaker is the primary workhorse of the Landscape Series, delivering richly-detailed audiophile quality sound. The model LS47SAT can be positioned in trees, hidden in planting beds, or concealed along walkways. Don't let its size fool you. This is a robust combination of professional-grade electronics coupled with high performance extended-life Ultra-Violet (UV) resistant aerospace composite enclosures to ensure years of outdoor enjoyment.

---

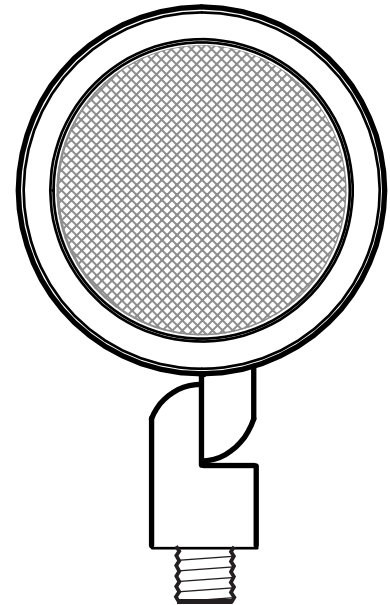
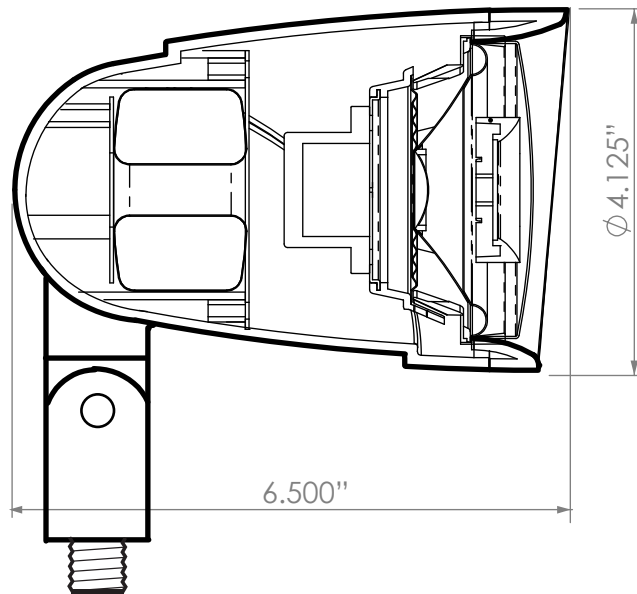
SONANCE  
212 Avenida Fabricante  
San Clemente, CA 92672  
800.582.7777  
SONANCE.COM

©2010 Sonance, All Rights Reserved. Sonance is a registered trademark of Dana Innovations.  
Due to continuous product improvement, all features and specifications are subject to change without notice.

# SONANCE LANDSCAPE SERIES



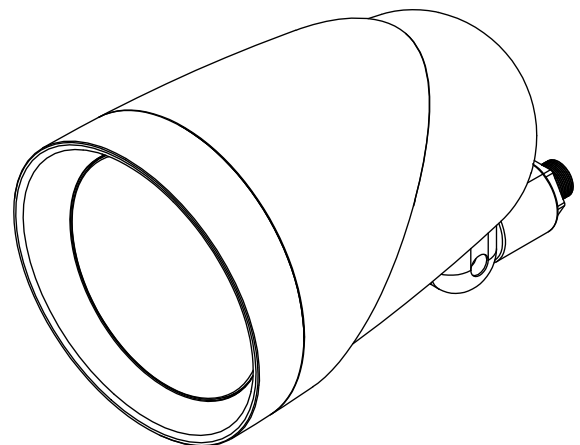
## LS47SAT Two-Way Full Range Loudspeaker



- (UV) Resistant Composite Enclosure
- High-Compliance Drivers
- Powerful Neodymium Magnets
- Rust-Proof Protective Grille
- Professional-Grade Electronics
- Copper-Wound 70.7V Transformer
- 0.5" NPS Male Mounting Threads

Description	Two-Way Full-Range Loudspeaker
Dimensions	6.500"L x 4.125" Dia.
Speaker Sizes	3.5" Dia. & .75 Dia.
Frequency Response	80Hz-20kHz
Listening Area	60 degrees, 10' to 50' recommended
Speaker Input	70.7 volt / 25 watt
Weight	2.5 lbs.

\*Specifications subject to change without notice.



SONANCE  
212 Avenida Fabricante  
San Clemente, CA 92672  
800.582.7777  
SONANCE.COM