

SONANCE

LANDSCAPE SERIES

LS67SAT Two-Way Full Range Loudspeaker



Sounds like you hired a live band. The LS67SAT is that dynamic. The Sonance Landscape Series LS67SAT Full-Range Loudspeaker is a true Two-way system...that is, both a high-quality woofer and separate tweeter. They are best employed to create that extrarealistic touch that gives extraordinary dimension to the musical experience. One could say: "These are the speakers that separate the men from the boys in the outdoor audio arena." With various unique installation accessories, the LS67SAT can be positioned in trees, hidden in planting beds, or along walkways. Best of all, the robust professional-grade electronics coupled with our proprietary Ultra-Violet (UV) resistant composite enclosures ensure years of unfettered enjoyment.

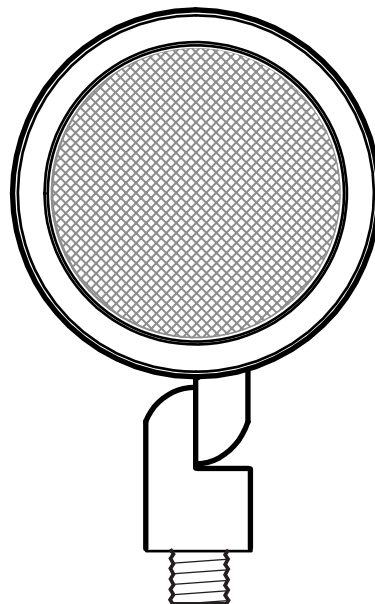
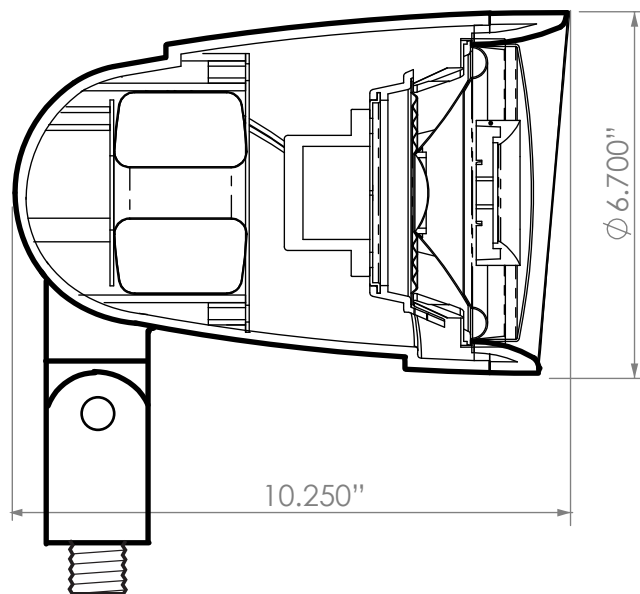
SONANCE
212 Avenida Fabricante
San Clemente, CA 92672
800.582.7777
SONANCE.COM

©2010 Sonance, All Rights Reserved. Sonance is a registered trademark of Dana Innovations.
Due to continuous product improvement, all features and specifications are subject to change without notice.

SONANCE LANDSCAPE SERIES



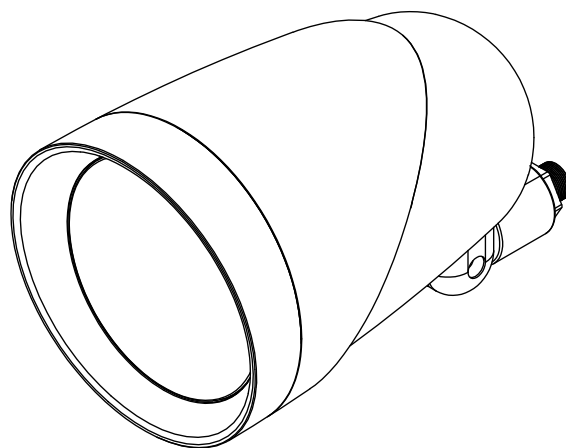
LS67SAT Two-Way Full Range Loudspeaker



- (UV) Resistant Composite Enclosure
- High-Compliance Drivers
- Powerful Neodymium Magnets
- Rust-Proof Protective Grille
- Professional-Grade Electronics
- Copper-Wound 70.7V Transformer
- 0.5" NPS Male Mounting Threads

Description	Two-Way Full-Range Loudspeaker
Dimensions	10.250"L x 6.700" Dia.
Speaker Sizes	6" Dia. & .75 Dia.
Frequency Response	60Hz-20kHz \pm 3db
Listening Area	60 degrees, 10' to 50' recommended
Speaker Input	70.7 volt / 25 watt
Weight	6 lbs.

*Specifications subject to change without notice.



SONANCE
212 Avenida Fabricante
San Clemente, CA 92672
800.582.7777
SONANCE.COM