

Protect Breaker Panels

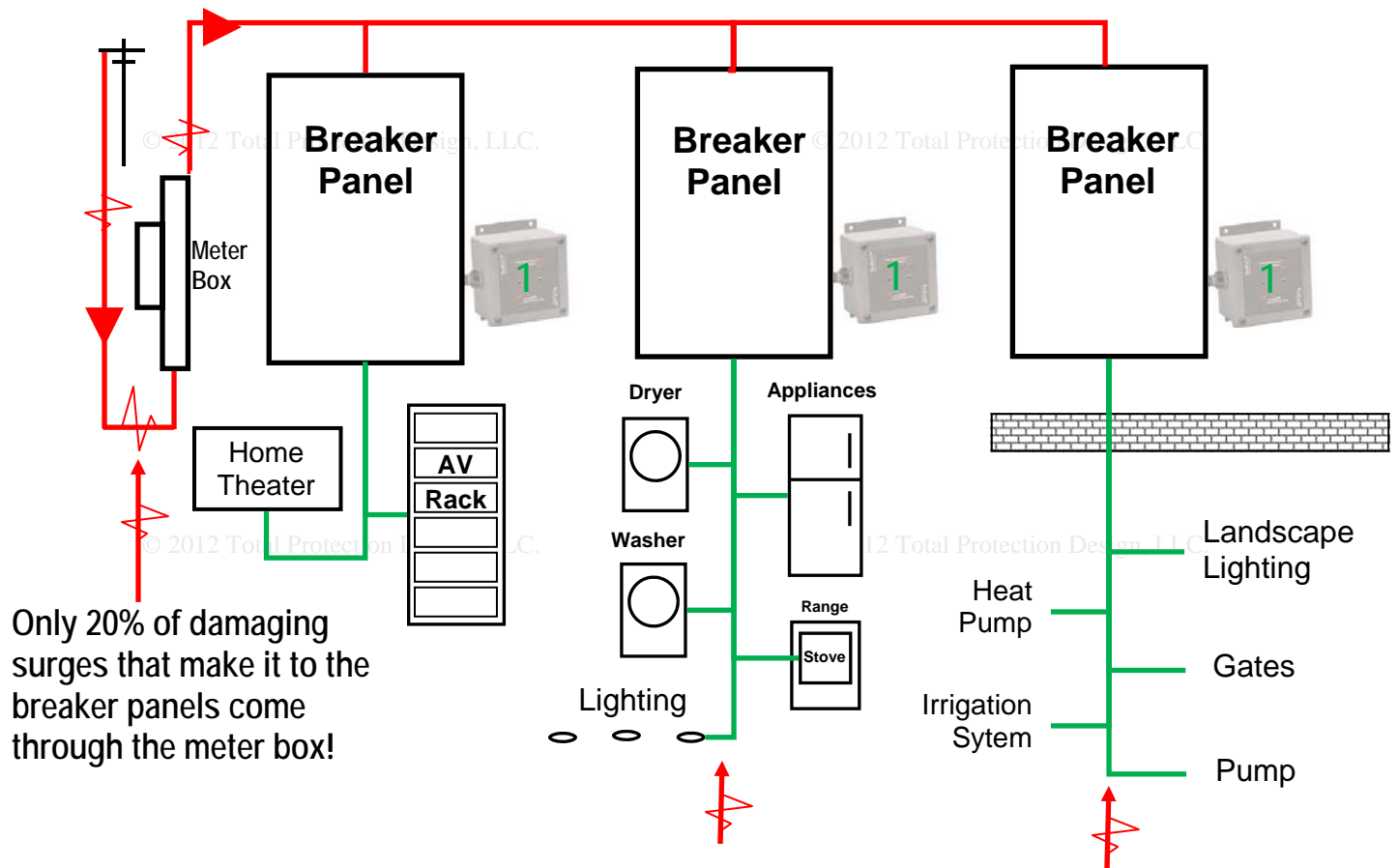
Clean Power - Unsafe Power

Clean Data - Unsafe Data

Filter and protect power at each breaker panel from externally and internally generated surges.

© 2012 Total Protection Design, LLC.

Around 80% of damaging surges at the breaker panel are generated by the loads within the breaker panel.



Only 20% of damaging surges that make it to the breaker panels come through the meter box!

Around 80% of damaging surges at the breaker panel are generated by electronic loads within the panel!

Some breaker panels have high exposure due to copper paths that go outside.

Total Protection Design

#1 TK-TTLP-1S240-FL

Need additional assistance?
 Call Technical Support
 1-800-604-9980
info@totalprotectiondesign.com
www.TotalProtectionDesign.com

2011 Total Protection Design, LLC. All Rights Reserved. This drawing is the property of Total Protection Design, LLC. The graphics, information and specific ideas in this document are the exclusive property of Total Protection Design LLC, and must not be made public, copied, or sold. Others seeking permission to reproduce this document, in whole or in part must obtain permission from Total Protection Design in writing.

Notes:

Drawings are not to scale and should only be used as a visual representation. Installation instructions should be followed for optimal performance and adequate grounding.

