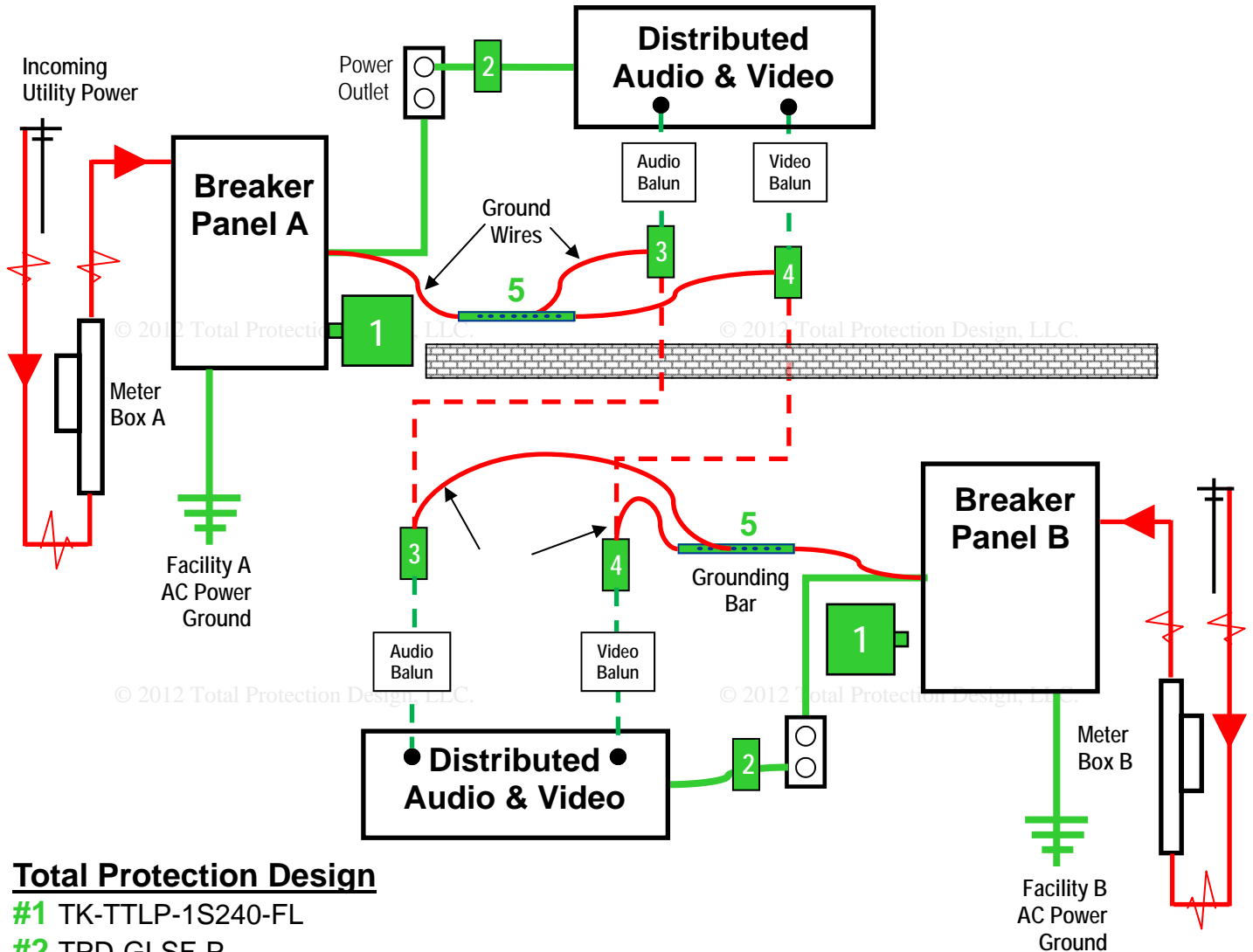


Protect Distributed Audio & Video

Clean Power - Unsafe Power

Clean Data - Unsafe Data

NOTE 1: AC breaker panel protection is recommended when using data protection.
 NOTE 2: TPD-GLSF is recommended when protecting distributed Audio or Video between two building with separate utility meters.



Total Protection Design

- #1 TK-TTLP-1S240-FL
- #2 TPD-GLSF-P
- #3 TPD-10SLP8-RJ
- #4 TPD-CAT5E



*RJ-45 option available for 8 wire units - add "RJ" suffix

Need additional assistance?
 Call Technical Support
 1-800-604-9980
info@totalprotectiondesign.com
www.TotalProtectionDesign.com

© 2012 Total Protection Design, LLC. All Rights Reserved. This drawing is the property of Total Protection Design, LLC. The graphics, information and specific ideas in this document are the exclusive property of Total Protection Design LLC, and must not be made public, copied, or sold. Others seeking permission to reproduce this document, in whole or in part must obtain permission from Total Protection Design in writing.

Notes:
 Drawings are not to scale and should only be used as a visual representation. Installation instructions should be followed for optimal performance and adequate grounding.

