

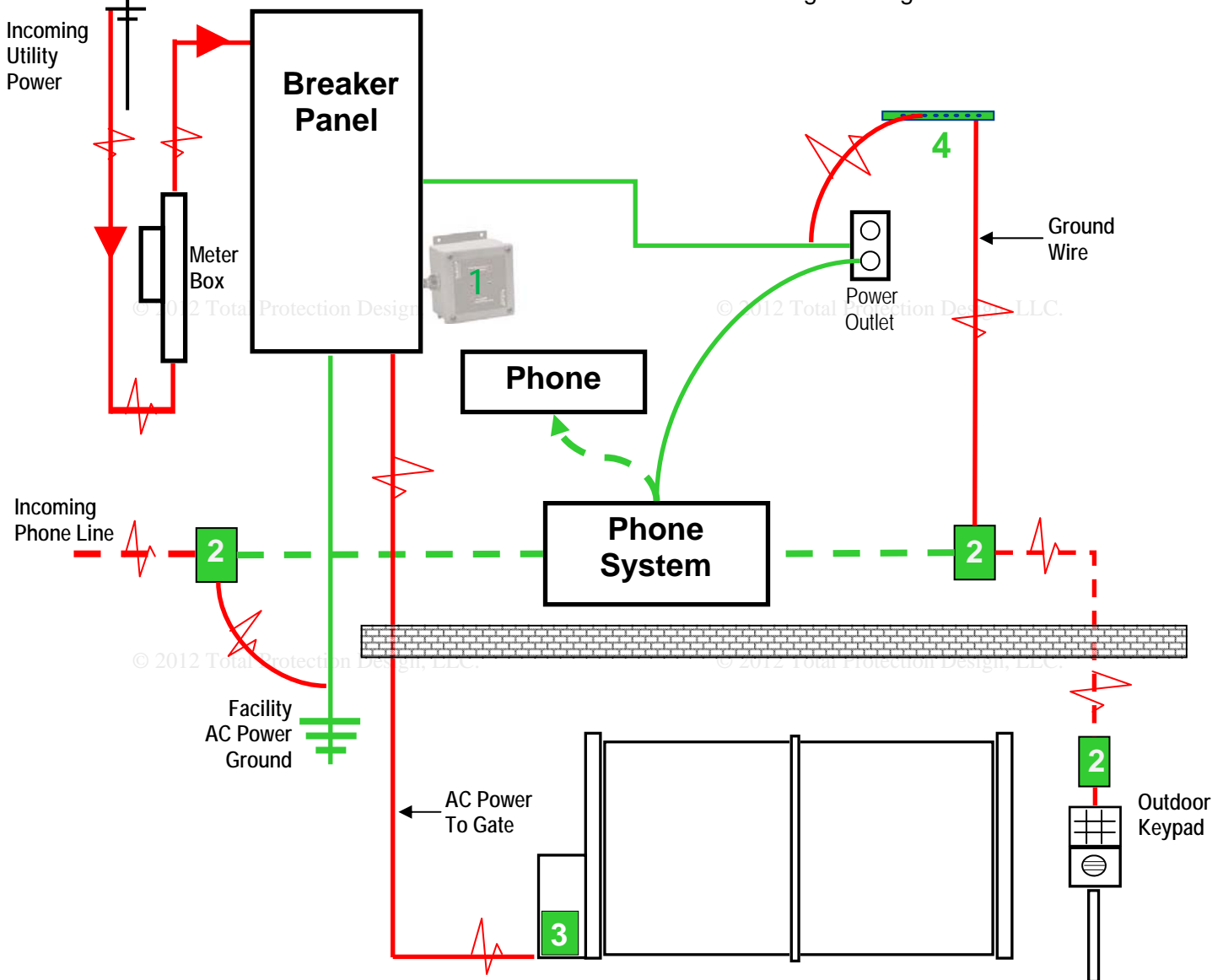
Protect Gates & Keypads

Clean Power - Unsafe Power

Clean Data - Unsafe Data

All copper paths leading into the facility requires protection.

The outside equipment end should also be protected from surge damage.



Total Protection Design

1. TK-TTLP-1S240-FL
2. TPD-PHONE-RJ
3. TK-RK080S-1S240-L
4. TPD-GRD



TK-CT2-PHONE-RJ



TK-RK080S-1S240-L



TPD-GRD

Need additional assistance?
 Call Technical Support
 1-800-604-9980
info@totalprotectiondesign.com
www.TotalProtectionDesign.com

2011 Total Protection Design, LLC. All Rights Reserved. This drawing is the property of Total Protection Design, LLC. The graphics, information and specific ideas in this document are the exclusive property of Total Protection Design LLC, and must not be made public, copied, or sold. Others seeking permission to reproduce this document, in whole or in part must obtain permission from Total Protection Design in writing.

Notes:

Drawings are not to scale and should only be used as a visual representation. Installation instructions should be followed for optimal performance and adequate grounding.

