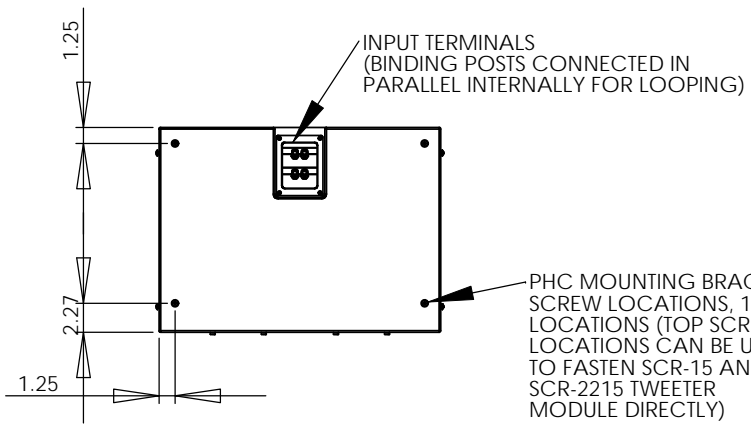
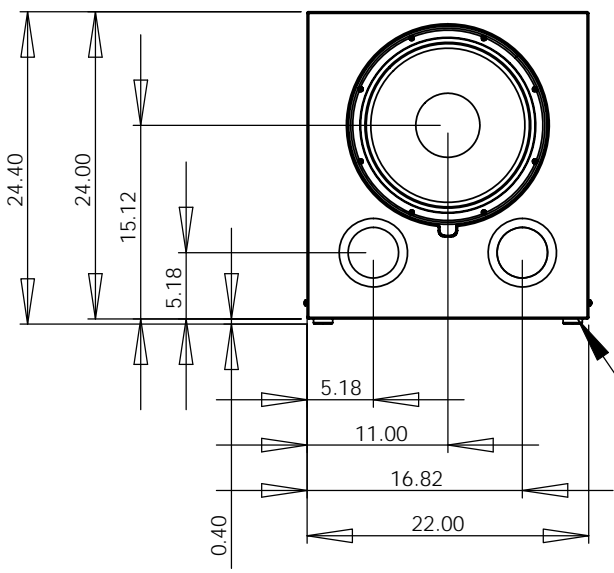


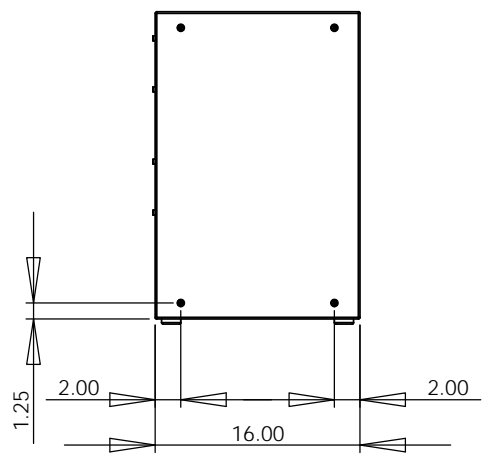
REVISIONS			
RELEASE	REV.	DESCRIPTION	DATE
A	1	INITIAL RELEASE	2-9-2009



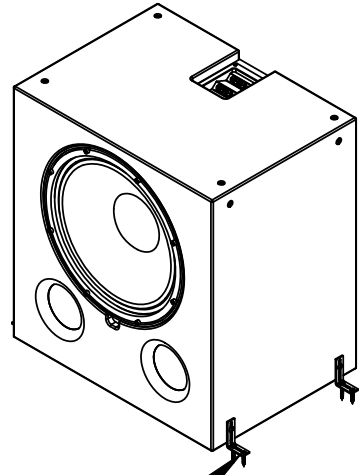
TOP VIEW



FRONT VIEW



RIGHT SIDE VIEW



ISOMETRIC VIEW

0.4" TALL RUBBER FEET

PHC MOUNTING BRACKETS (INCL.) MAY  
BE USED TO SECURE SPEAKER TO MOUNTING SURFACE

**PROPRIETARY AND CONFIDENTIAL**

THE INFORMATION CONTAINED IN THIS DRAWING IS THE SOLE PROPERTY OF PROFESSIONAL HOME CINEMA, LLC. ANY REPRODUCTION IN PART OR AS A WHOLE WITHOUT THE WRITTEN PERMISSION OF PROFESSIONAL HOME CINEMA, LLC IS PROHIBITED. THE HOLDER OF THIS DOCUMENT SHALL KEEP ALL INFORMATION CONTAINED HEREIN CONFIDENTIAL AND SHALL PROTECT THE SAME IN WHOLE OR IN PART FROM DISCLOSURE AND DISSEMINATION TO ALL THIRD PARTIES.

		DIMENSIONS ARE IN INCHES TOLERANCES: FRACTIONAL ± ANGULAR: MACH ± BEND ± TWO PLACE DECIMAL ± THREE PLACE DECIMAL ±	NAME	DATE
		MATERIAL		2-9-09
		FINISH		
NEXT ASSY	USED ON			
APPLICATION		DO NOT SCALE DRAWING		

PROFESSIONAL HOME CINEMA, LLC		
<b>SCR-15 / SCR-2115 SCR-2215 LF MODULE</b>		
SIZE <b>A</b>	DWG. NO. MODULE-LF-15	REV. <b>A1</b>
SCALE: 1:15	WEIGHT:	SHEET 3 OF 6