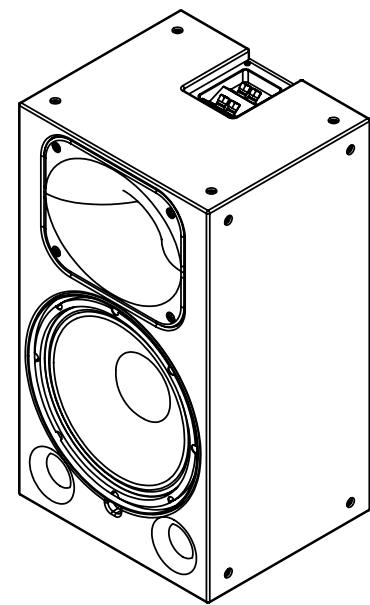
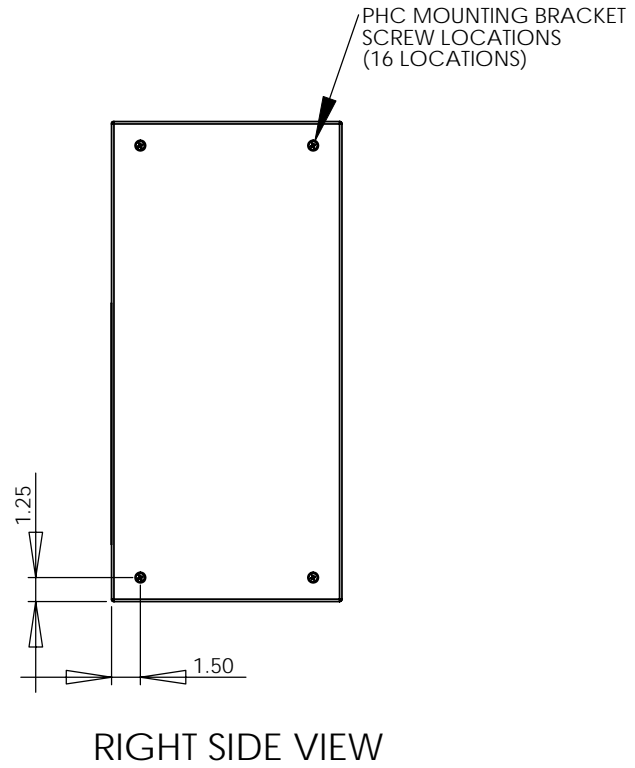
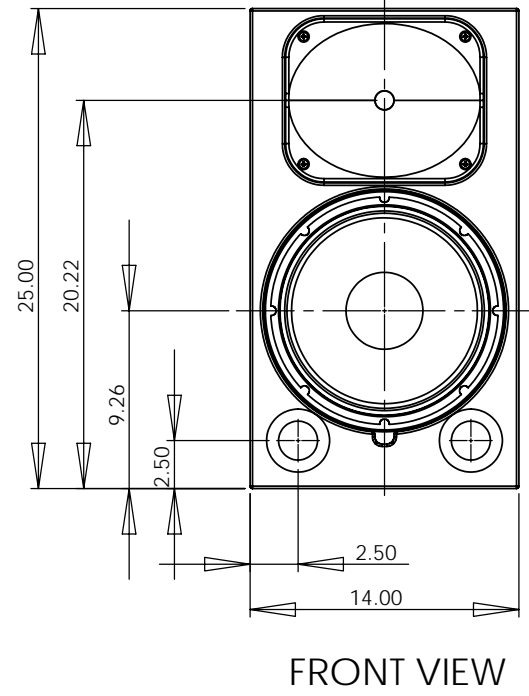


REVISIONS			
RELEASE	REV.	DESCRIPTION	DATE
	A	INITIAL RELEASE	10/23/2008

Note:
This PHC speaker is coated with an ultra-durable poly urea coating that varies slightly in thickness; therefore the overall dimensions may vary slightly from those shown in this drawing. Allowance for this variance should be included in the system installation design.



PROPRIETARY AND CONFIDENTIAL

THE INFORMATION CONTAINED IN THIS DRAWING IS THE SOLE PROPERTY OF PROFESSIONAL HOME CINEMA, LLC. ANY REPRODUCTION IN PART OR AS A WHOLE WITHOUT THE WRITTEN PERMISSION OF PROFESSIONAL HOME CINEMA, LLC IS PROHIBITED. THE HOLDER OF THIS DOCUMENT SHALL KEEP ALL INFORMATION CONTAINED HEREIN CONFIDENTIAL AND SHALL PROTECT THE SAME IN WHOLE OR IN PART FROM DISCLOSURE AND DISSEMINATION TO ALL THIRD PARTIES.

		DIMENSIONS ARE IN INCHES		NAME		DATE		PROFESSIONAL HOME CINEMA, LLC	
		TOLERANCES:		DRAWN		10-22-08		<h1>SCRS-12sm DIMENSIONS</h1>	
		FRACTIONAL ±		CHECKED					
		ANGULAR: MACH ± BEND ±		ENG APPR.					
		TWO PLACE DECIMAL ±		MFG APPR.					
		THREE PLACE DECIMAL ±		Q.A.					
		MATERIAL		COMMENTS:				SIZE DWG. NO.	
NEXT ASSY		USED ON		FINISH				REV. A	
APPLICATION		DO NOT SCALE DRAWING				SCALE:1:7.5		WEIGHT:	
								SHEET 1 OF 1	