

NEW!
Low-Cost Flat
Panel Accessory

Studio Series™
Art **SCREEN**
BY VUTEC

Easily Convert Your Flat Panel TV Into A Work Of *Art!*

Art Meets Technology in one product. With a simple touch of a remote, **Studio Series ArtScreen** transforms your TV into a work of art that enhances the décor of any environment.

Inside an elegant hardwood frame, and ultra-quiet motor raises or lowers a museum quality Giclée rollable canvas print — a quality art reproduction that replicates the artist's original.

A do-it yourself or dealer installation with a selection of four frames and 12 art selections available. Designed art interchangeable from inventory.



Sample displayed: #3 Red Cedar (Frame), #002 Evening in Paris (Art)



Old Harbor - 001



Evening in Paris - 002



Quiet River - 003



Introspection - 004



Venice - 005



Tables for Two - 006



Chaos - 007



Family Vacation - 008



Sunday Stroll - 009



Wine Country - 010



At the Turn - 011



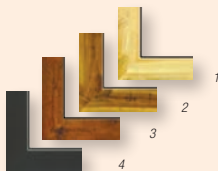
White Caps - 012

FEATURES

- 12 artist originals to choose from
- Choice of four frame styles
- Includes black frame liner
- Easy surface wall mount installation
- Includes IR remote control
- Works well with slim-line mounts
- Mounting adjustable from 4.25" - 6.75"
- No wiring required
- **Model 42** for 37" - 43" TVs
- **Model 50** for 44" - 55" TVs

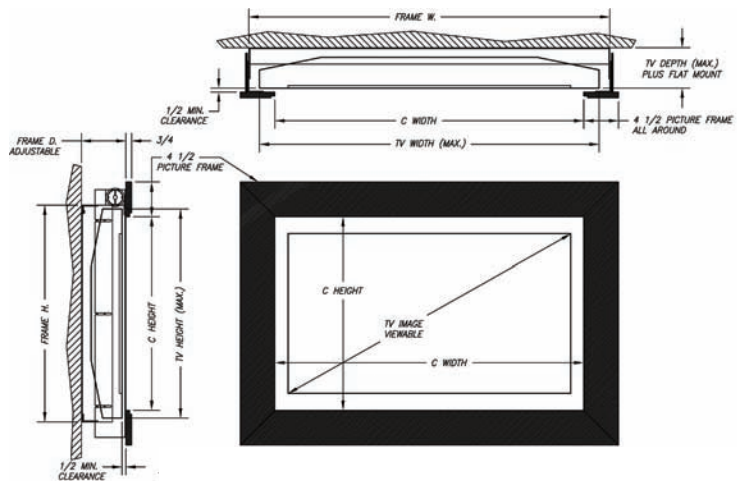
FRAMES

- 1 Clean Pine
- 2 Rustic Pine
- 3 Red Cedar
- 4 Black Satin



PRICES

	MSRP
Model 42	\$1,099.⁹⁹
Model 50	\$1,199.⁹⁹



"Images are for informational intent, color representation are for graphic display only."

TV DIAGONAL	TV HEIGHT	TV WIDTH	TV DEPTH	C HEIGHT	C WIDTH	WEIGHT
40" - 43"	27"	44"	6"	25"	40"	40 lbs.
44" - 55"	35"	54"	6"	33"	50"	50 lbs.



The Projection Screen Technology Leader



P. 800.770.4700 / 954.545.9000
F. 800.548.5885 / 954.545.9011
www.vutec.com