

VISION XL1

RETRACTABLE WALL/CEILING MOTORIZED SCREEN
Tab-Tensioned Surfaces



FEATURES

- Surface mount for wall or ceiling
- Automatic trap door providing dust free surface storage
- Elegant curved aluminum housing with choice of black, white or custom finishes
- VUTEC EMST™ (EZ-Mounting System) included
- Ribbed aluminum roller featuring VUTEC's FRS™ (Fabric Relief Step)
- Acoustical dampening DDR™ (Dual Dampened Roller)
- Standard 12" black leader set at 6"
- Includes Decora wall switch
- Custom sizes or additional leader are available
- Two year warranty

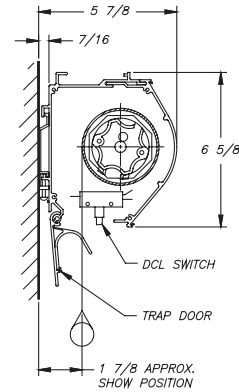
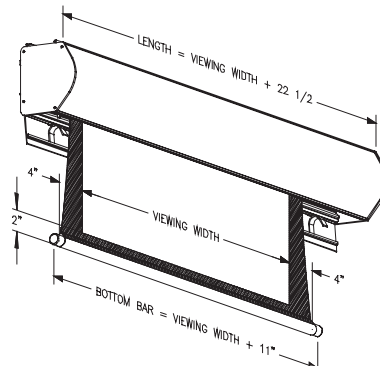
SURFACES

- BriteWhite Opaque
- Rear-Vu
- PearlBrite
- GreyDove

SUGGESTED CONTROLS

- R12V-U: 12V DC Auto Relay (100 mA >)
- R515V-U2: 5-15V DC Auto Relay (3 mA >)
- IR1CK: IR Single Channel Remote Control Kit
- RF1CK: RF Single Channel Remote Control Kit
- LVS: Single Station Low Voltage Control Kit
- SIK232: RS232 System Integrator Kit
- SIKIP: Internet Protocol Kit

TECHNICAL



Diagonal	Viewing Area	Overall Dimensions
HDTV (16:9)		
92"	45" x 80"	102.50"
103"	50.50" x 89.75"	112.25"
110"	54" x 96"	118.50"
123"	60" x 107"	129.50"
133"	65" x 116"	138.50"
147"	72" x 128"	150.50"
Widescreen (2.35:1)		
115"	45" x 105.75"	128.25"
129"	50.50" x 118.75"	141.25"
138"	54" x 127"	149.50"
153"	60" x 141"	163.50"
Video (4:3)		
72"	43.25" x 57.50"	80"
78"	46.75" x 62.25"	84.75"
84"	50.50" x 67.25"	89.75"
100"	60" x 80"	102.50"
120"	72" x 96"	118.50"
144"	86.25" x 115.25"	137.50"
150"	90" x 120"	142.50"
160"	96" x 128"	150.50"
180"	108" x 144"	166.50"

*** Also available in 16:10 & 2.40:1 formats
All measurements are nominal



WHEN PERFORMANCE MATTERS



P. 800.770.4700 / 954.545.9000
F. 800.548.5885 / 954.545.9011
www.vutec.com