

VISION XM

RETRACTABLE IN-CEILING MOTORIZED HORIZONTAL MASKING SYSTEM Self-Supported Surfaces

FEATURES

- Designed for Native HDTV (16:9) projectors
- Choice of preset aspect ratio (16:9)/(1.85:1)/(2.35:1)/(2.40:1)
- Precision mask to screen surface tolerances
- MDF housing with a choice of black or white mica finishes
- Service door & trim kit included
- Acoustical dampening DDR™ (Dual Dampened Roller)
- Standard 12" black leader set 6"
- Built-in intelligent motor control system
- Includes 6-button keypad
- Custom sizes, additional leader or perforated leader are available upon request
- Two year warranty

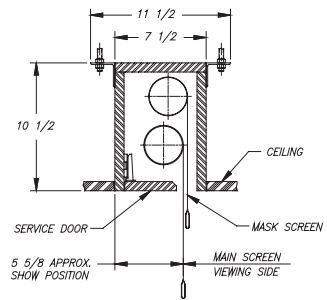
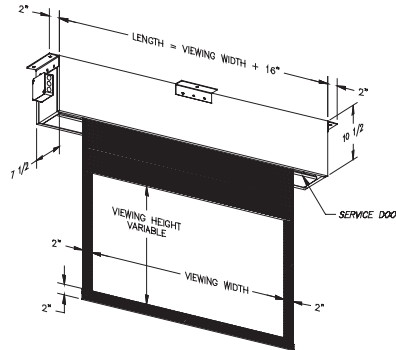
SURFACES

- Vu-Flex Pro
- SoundScreen**
- GreyDove SoundScreen**

SUGGESTED CONTROLS

- IR6: IR interface

TECHNICAL



Diagonal	Viewing Area	Overall Dimensions
HDTV (16:9) to (1.85:1) to Widescreen (2.35:1 & 2.40:1)		
92" (16:9)	45" x 80"	96"
91" (1.85:1)	43.25" x 80"	
87" (2.35:1)	34" x 80"	
86.75" (2.40:1)	33.25" x 80"	
103" (16:9)	50.50" x 89.75"	105.75"
102" (1.85:1)	48.50" x 89.75"	
97.50" (2.35:1)	38.25" x 89.75"	
97" (2.40:1)	37.50" x 89.75"	
110" (16:9)	54" x 96"	112"
109" (1.85:1)	52" x 96"	
104.50" (2.35:1)	41" x 96"	
104" (2.40:1)	40" x 96"	
123" (16:9)	60" x 107"	123"
122" (1.85:1)	58" x 107"	
116.50" (2.35:1)	45.50" x 107"	
116" (2.40:1)	44.50" x 107"	
133" (16:9)	65" x 116"	132"
132" (1.85:1)	62.75" x 116"	
126" (2.35:1)	49.25" x 116"	
125.50" (2.40:1)	48.25" x 116"	
147" (16:9)	72" x 128"	144"
146" (1.85:1)	69" x 128"	
139" (2.35:1)	54.50" x 128"	
138.50" (2.40:1)	53.25" x 128"	

** SoundScreen units include black SoundScreen liner & black masking. Black SoundScreen masking available upon request
All measurements are nominal



WHEN PERFORMANCE MATTERS



P. 800.770.4700 / 954.545.9000
F. 800.548.5885 / 954.545.9011
www.vutec.com