

# VISION X MV

RETRACTABLE IN-CEILING MOTORIZED VERTICAL MASKING SYSTEM  
Tab-Tensioned Surfaces



**Anamorphic**  
Widescreen

## FEATURES

- Designed for Native HDTV (16:9) projectors with Anamorphic Lens
- Choice of preset aspect ratio (2.35:1)/(16:9) or (16:9)/(4:3)
- Precision mask to screen surface tolerances
- MDF housing with a choice of black or white mica finishes
- Service door & trim kit included
- Acoustical dampening DDR™ (Dual Dampened Roller)
- Standard 12" black leader set 6"
- Dual Decora switches included
- Custom sizes, additional leader or perforated leader are available upon request
- Two year warranty

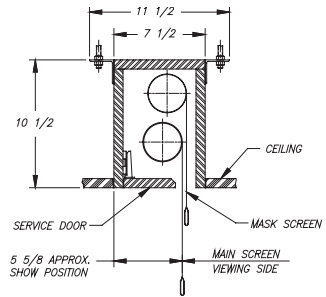
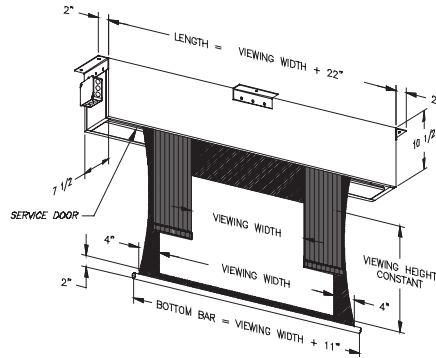
## SURFACES

- BriteWhite Opaque
- Rear-Vu
- PearlBrite
- GreyDove

## SUGGESTED CONTROLS

- R12V-U: 12V DC Auto Relay (100 mA >)
- R515V-U2: 5-15V DC Auto Relay (3 mA >)
- IR1CK: IR Single Channel Remote Control Kit
- LVS: Single Station Low Voltage Control Kit
- SIK232: RS232 System Integrator Kit

## TECHNICAL



Diagonal	Viewing Area	Overall Dimensions
<b>Widescreen (2.35:1) to HDTV (16:9)</b>		
115" (2.35:1)	45" x 105.75"	127.75"
92" (16:9)	45" x 80"	
129" (2.35:1)	50.50" x 118.75"	130.75"
103" (16:9)	50.50" x 89.75"	
138" (2.35:1)	54" x 127"	149"
110" (16:9)	54" x 96"	
153" (2.35:1)	60" x 141"	163"
123" (16:9)	60" x 107"	
<b>HDTV (16:9) to Video (4:3)</b>		
92" (16:9)	45" x 80"	102"
75" (4:3)	45" x 60"	
103" (16:9)	50.50" x 89.75"	111.75"
84" (4:3)	50.50" x 67.25"	
110" (16:9)	54" x 96"	118"
90" (4:3)	54" x 72"	
123" (16:9)	60" x 107"	129"
100" (4:3)	60" x 80"	
133" (16:9)	65" x 116"	138"
108" (4:3)	65" x 86.75"	
147" (16:9)	72" x 128"	150"
120" (4:3)	72" x 96"	

\*\*\* Also available in 2.40:1 formats  
All measurements are nominal



WHEN PERFORMANCE MATTERS



P. 800.770.4700 / 954.545.9000  
F. 800.548.5885 / 954.545.9011  
www.vutec.com