

VISION XTC

RETRACTABLE IN-CEILING MOTORIZED SCREEN WITH MOTORIZED TRAP DOOR
Self-Supported Surfaces

FEATURES

- Service door & motorized trap door providing dust free surface storage
- Aluminum housing with choice of black, white or custom finishes
- Built-in ceiling flange
- Ribbed aluminum roller featuring VUTEC's FRS™ (Fabric Relief Step)
- Acoustical dampening DDR™ (Dual Dampened Roller)
- Standard 12" black leader set at 6"
- Includes Decora wall switch
- Custom sizes, additional leader or perforated leader are available
- Two year warranty

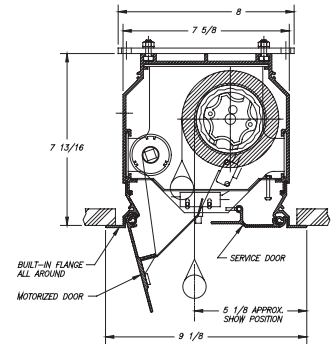
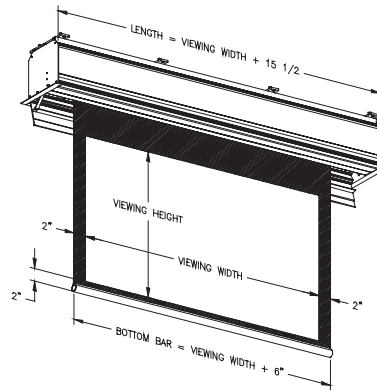
SURFACES

- Vu-Flex Pro
- Twin-Vu
- SoundScreen**
- GreyDove SoundScreen**

SUGGESTED CONTROLS

- R12V-U: 12V DC Auto Relay (100 mA >)
- R515V-U2: 5-15V DC Auto Relay (3 mA >)
- IR1CK: IR Single Channel Remote Control Kit
- RF1CK: RF Single Channel Remote Control Kit
- LVS: Single Station Low Voltage Control Kit
- SIK232: RS232 System Integrator Kit
- SIKIP: Internet Protocol Kit

TECHNICAL



| Diagonal | Viewing Area | Overall Dimensions |
|----------------------------|------------------|--------------------|
| HDTV (16:9) | | |
| 92" | 45" x 80" | 95.50" |
| 103" | 50.50" x 89.75" | 105.25" |
| 110" | 54" x 96" | 111.50" |
| 123" | 60" x 107" | 122.50" |
| 133" | 65" x 116" | 131.50" |
| 147" | 72" x 128" | 143.50" |
| Widescreen (2.35:1) | | |
| 115" | 45" x 105.75" | 121.25" |
| 129" | 50.50" x 118.75" | 134.25" |
| 138" | 54" x 127" | 142.50" |
| 153" | 60" x 141" | 156.50" |
| Video (4:3) | | |
| 72" | 43.25" x 57.50" | 73" |
| 78" | 46.75" x 62.25" | 77.75" |
| 84" | 50.50" x 67.25" | 82.75" |
| 100" | 60" x 80" | 95.50" |
| 120" | 72" x 96" | 111.50" |
| 144" | 86.25" x 115.25" | 130.50" |
| 150" | 90 x 120 | 135.50" |
| 160" | 96" x 128" | 143.50" |
| 180" | 108" x 144" | 159.50" |

** SoundScreen units include black SoundScreen liner

*** Also available in 16:10 & 2.40:1 formats
All measurements are nominal



WHEN PERFORMANCE MATTERS



P. 800.770.4700 / 954.545.9000
F. 800.548.5885 / 954.545.9011
www.vutec.com