



CM-IW2000

Control Mount for iPad™

iPort, the inventor of the in-wall system for iPod®, continues to innovate solutions for the custom installer with Apple® products. The iPort CM2000 Control Mount for iPad™ allows an Apple iPad to be used as an in-wall touch panel providing continuous charging of the iPad and connection to the locally available Wi-Fi.

The CM2000 securely mounts the iPad into the wall with an attractive and discreet frame which is magnetically secured to the in-wall mounting assembly. The iPad home button remains accessible while its power button is cleverly and subtly replicated on the outer edge of the CM2000 frame. With this design approach, iPort has created a striking product to compliment the iPad and allow it to be installed in a room with a stunning aesthetic result.

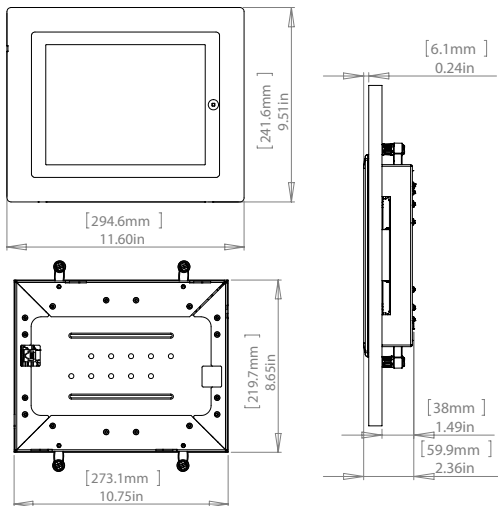
Supporting a variety of downloadable applications for home automation control and common applications such as weather, stocks and news; the CM2000 provides the user with control of audio, video, lighting and climate on the mounted iPad when the control application is connected to its compatible control system.

Installed in a portrait or landscape orientation, depending upon the homeowner's application preferences, the CM2000 presents the iPad in a convenient and stylish manner. When used for operating the home's automation system, a gentle tap on the CM2000-mounted iPad instantly calls up the desired feature, immediately sending the command over Wi-Fi to the home automation system. Now music, video, lights and temperature are easily adjusted from any room where a CM2000 has been installed with an iPad.

Installation of the CM2000 is straight-forward and secure as a result of the superior design of the CM2000's in-wall mounting assembly and Roto-Lock toggle system. The power connection is made by the custom installer using a length of Cat5 cable which is to be run from the rear of the CM2000, through the wall and to the CM2000 in-wall power connecting wall plate. The wall plate is installed up to 30 feet away from the CM2000 which provides the room designer the opportunity to place the CM2000 in its most useful location while concealing the power connection elsewhere in the room.

CM-IW2000 Features:

- Secure mounting for iPad in either vertical or horizontal orientation
- Continuous charging of the iPad



CM-IW2000 Includes:

- Magnetic Bezel assembly
- Mounting Frame
- Connector and charging board with RJ-45 connector
- Power wall plate
- Power supply



*iPad not included

iPort

212 Avenida Fabricante
San Clemente, CA USA
1.888.45.iPort
iportmusic.com

©2010 iPort, All Rights Reserved. iPort is a registered trademark of Dana Innovations. Apple, iTunes, iPod and iPad are registered trademarks of Apple Inc. Due to continuous product improvement, all features and specifications are subject to change without notice. For the latest iPort product information, go to : www.iportmusic.com
"Made for iPad" means that an electronic accessory has been designed to connect specifically to iPad, and has been certified by the developer to meet Apple performance standards. Apple is not responsible for the operation of this device or its compliance with safety and regulatory standards.

